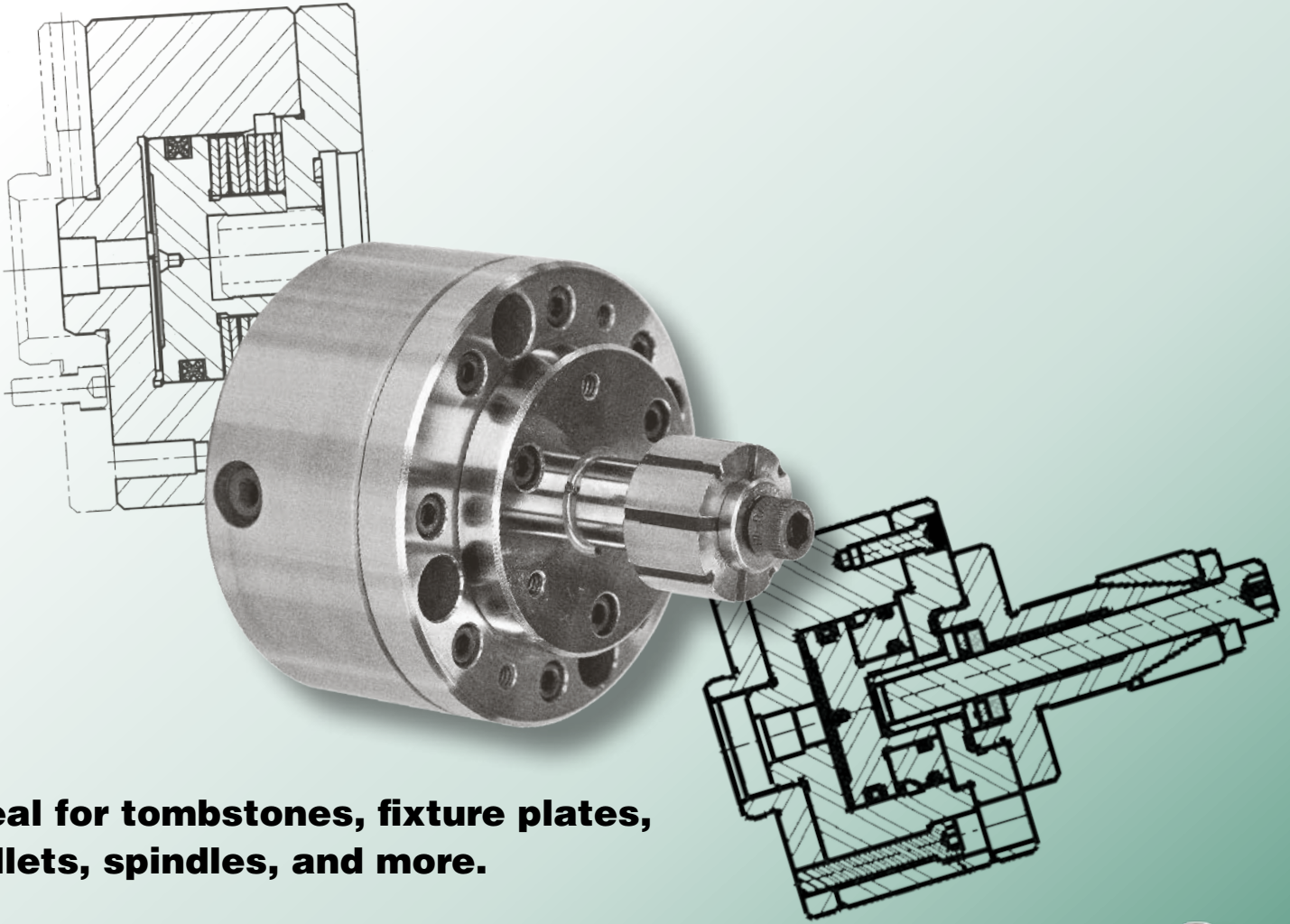




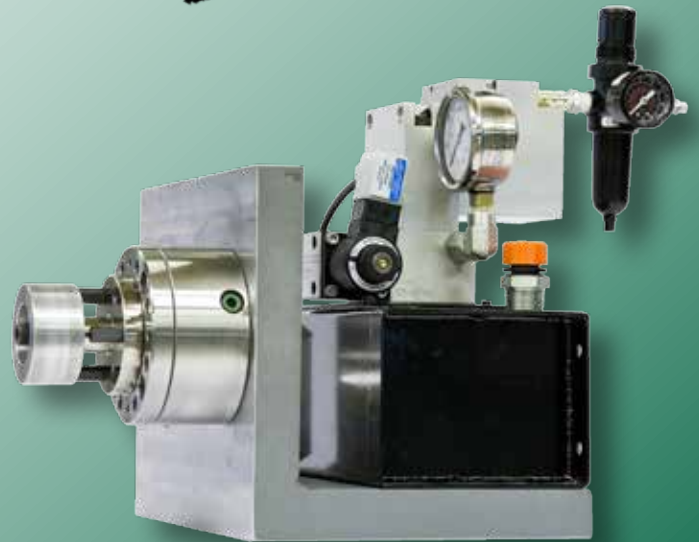
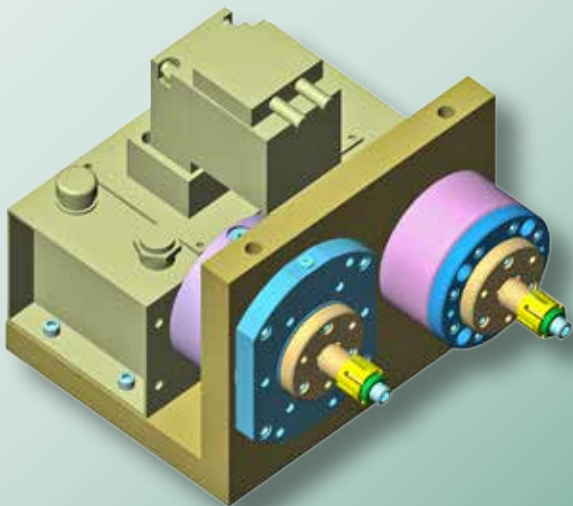
Mini Actuators

The "mini actuator" is a powerful actuator with the holding power of a conventional actuator in nearly half the space.

At only 4½" diameter, the actuator provides chucking forces for our standard chucks and many custom designs.

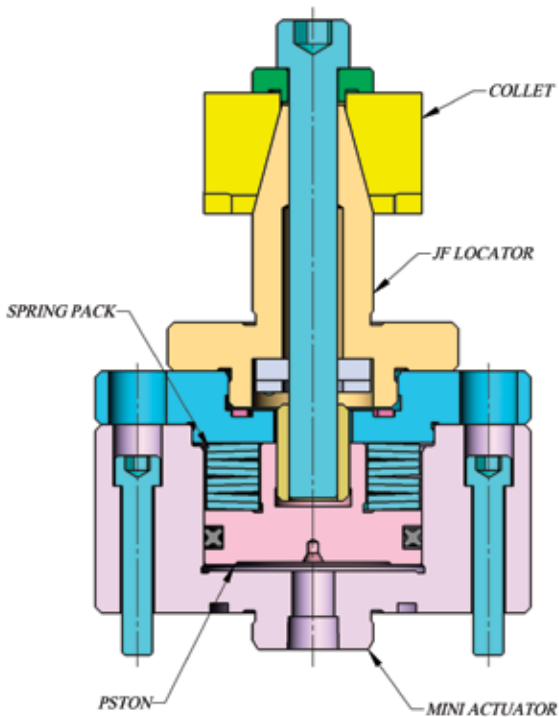


Ideal for tombstones, fixture plates, pallets, spindles, and more.

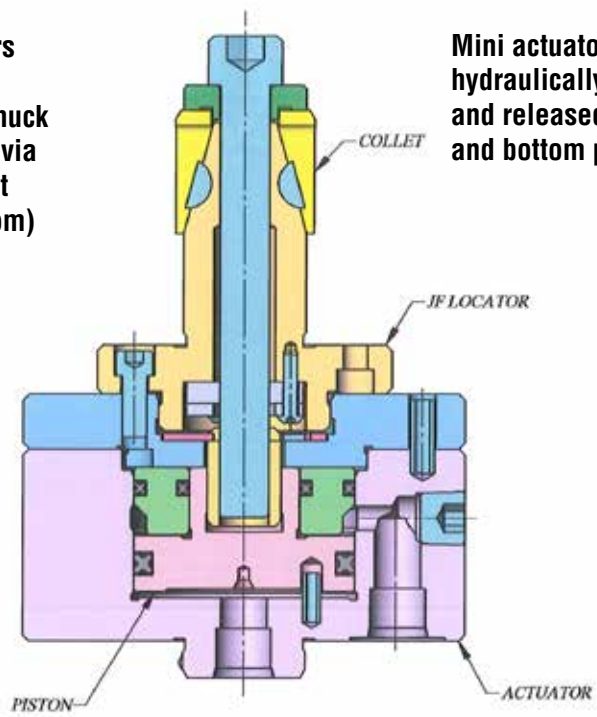


Speedgrip

MINI ACTUATORS

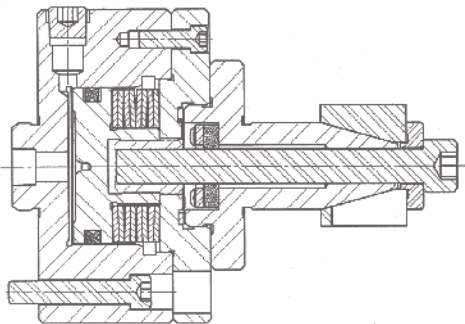


Mini actuators using spring washers to chuck are released via hydraulic port (side or bottom)

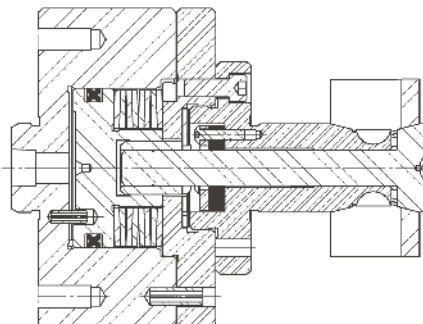


Mini actuators hydraulically actuated and released via side and bottom ports

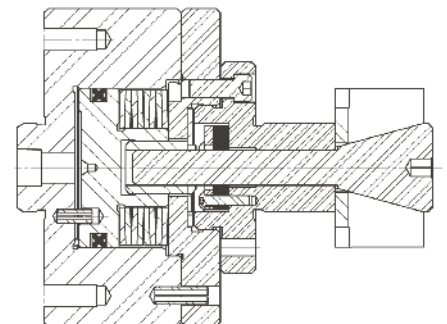
The Speedgrip Mini Actuator provides chucking forces to accommodate standard locators as well as custom internal and external gripping chucks



Mini Actuator with standard JF Locator (ID Gripping)

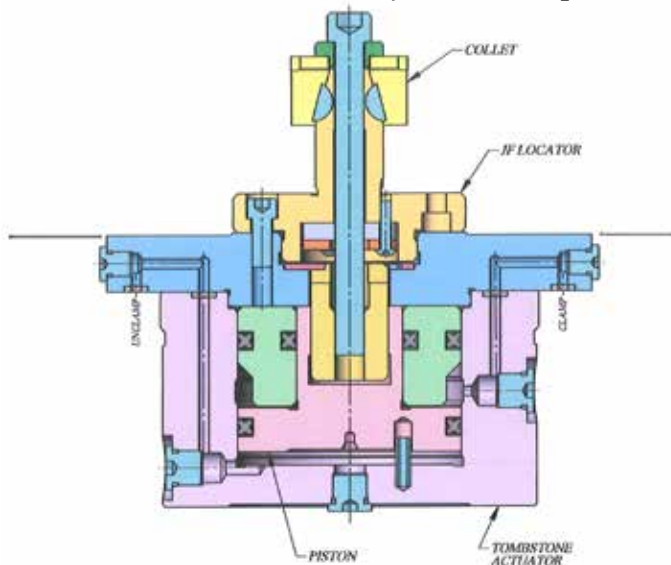


Mini Actuator with Double Taper Locator



Mini Actuator with Reverse Taper Locator

Ideal for tombstones, fixture plates, pallets, spindles, and more.



New version

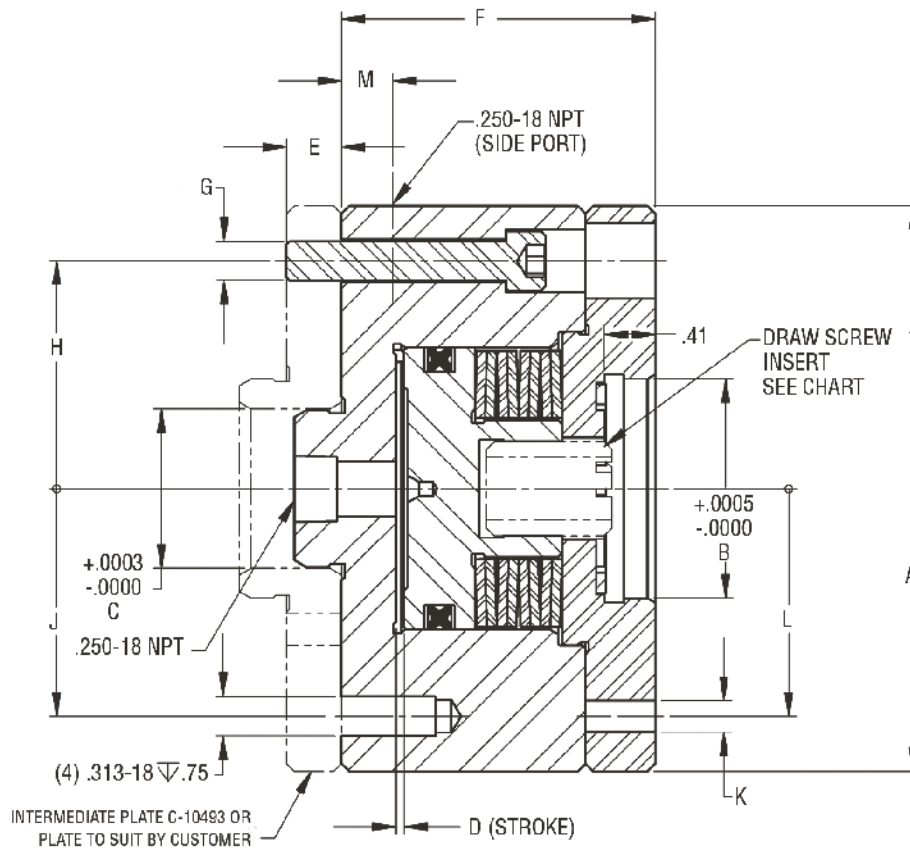
Recesses completely into fixture, tombstone, or pallet and all actuation & release ports are accessible from inside or backside.

SPRING CHUCK WITH HYDRAULIC RELEASE

ACTUATOR	A	B	C	D	E	F	G	H	J	K	L	M
B-10489	4.50	1.7500	1.2500	.06	.44	2.50	(4) .313-18	1.813	1.813	(3) .250-20	1.125	.41
B-10499	4.88	2.7500	2.0000	.17	.46	3.28	(4) .375-16	2.000	2.000	(4) .375-16	2.000	.44

SPRING AND CYLINDER DATA					
ACTUATOR NUMBER	SPRING PRESSURE		CYLINDER AREA	VOLUME (cu. in.)	REQUIRED RELEASE PRESSURE
	RELAXED STATE	MAXIMUM STROKE			
B-10489	2,110 lbs	1,588 lbs	3.97 in ²	.294	610 psi
B-10499	3,170 lbs	2,386 lbs	6.49 in ²	1.103	525 psi

NOTE: UNITS BUILT WITH SPRINGS AS SHOWN; ADDITIONAL PRESSURES AVAILABLE UPON REQUEST



The mini actuators list below accommodates all tapers sizes from #0 through #4

B-10489: locators with tapers sizes 0, ½, 1, 2, and 2½

B-10499: locators with tapers sizes 3, 3½, and 4

LOCATOR SIZE (JF, RTL, DTLS, DTLL)	USE WITH ACTUATOR	DRAWSCREW INSERT	THREAD SIZE	NOSE SIZE	DRAWSCREW RETAINER
0, ½, 1, 2, 2½	B-10489	E-10494	10-32	0	E-10498
		E-10495	.250-20	½, 1	
		E-10496	.375-16	2	
		E-10497	.500-13	2½	
3, 3½, 4	B-10499	E-10505	.625-11	3	E-10503
		E-10506	.750-16	3½, 4	



**Cameron Sabertooth
& Hydraulic Arbors**

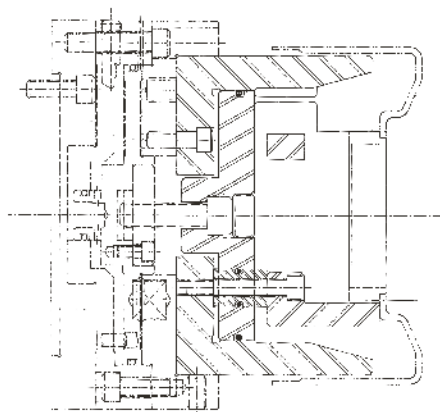
**Madison Face Driver
www.speedgrip.com**

Speedgrip Chuck designs and manufactures a full line of internal and external gripping collet chucks, diaphragm chucks, finger chucks, and between center mandrels.

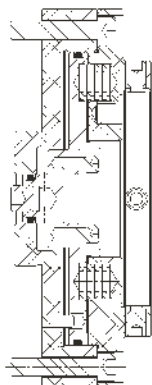
Cameron designs and builds custom internal and external hydraulic chucks and arbors with collet chucks from our Sabertooth.

Madison Face Driver divisions offers a wide variety of standard drivers and pins along with special design face drivers. Featuring our Hydra-Drive line for extreme accuracy requirements.

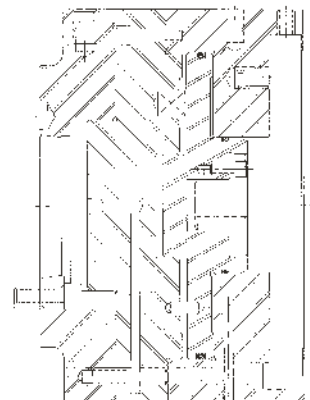
STANDARD FULL SIZE ACTUATORS



with External Collet Chuck

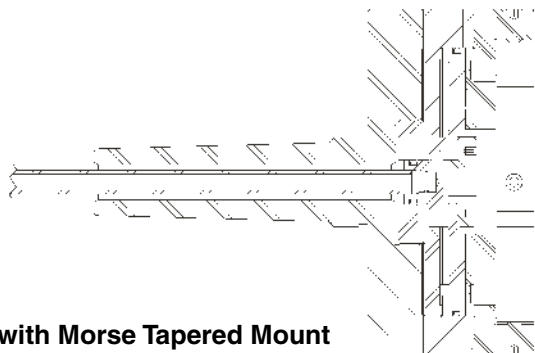


of Lightweight Aluminum

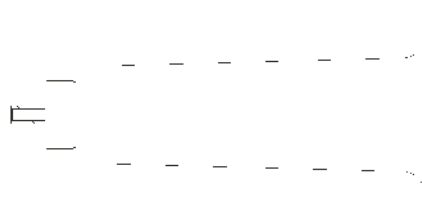


Air Chuck & Spring Release

SPECIALTY ACTUATORS



with Morse Tapered Mount



with Built-In Center

