

**Madison Face Driver**

# ***Hydra-Drive***



**AVAILABLE  
In 3 Sizes**

**The Convenience of a Face Driver ■ The Accuracy of a Hydraulic Arbor**

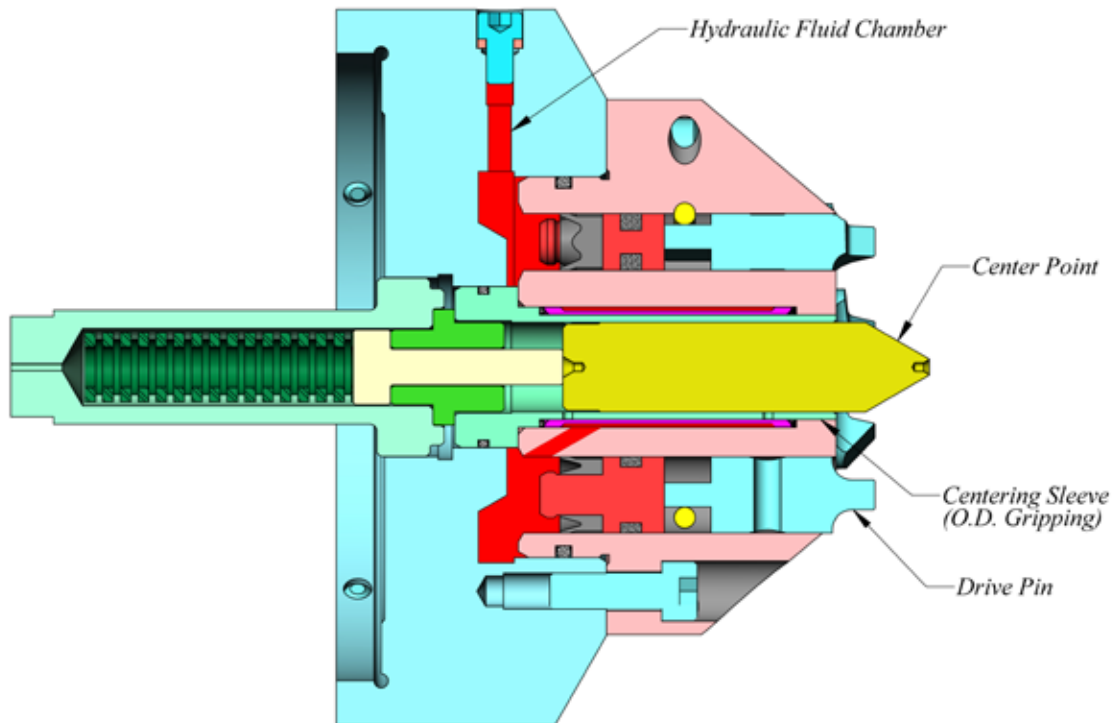


**Cameron Sabertooth  
& Hydraulic Arbors**

**Madison Face Driver  
[www.speedgrip.com](http://www.speedgrip.com)**

# Hydra-Drive Face Driver by Madison

*.0002 T.I.R. with positive lateral positioning*



*The convenience of a face driver with the accuracy of a hydraulic arbor*

## Features

### Accuracy

The precision ground hydraulic shell holds the center point on centerline within .0002" T.I.R. Lateral positioning of the part is constant since the center point is locked into position.

### Efficiency

Since part positioning is done by the center point, drive pin life is extended. Drive pins and center points are quickly changed from the front of the assembly. The new Hydra-Drive requires less tailstock pressure to maintain engagement.

### Quality

This new face driver combines the quality and innovation of our Madison Face Driver with Cameron hydraulic chucks and arbors.

### Flexibility

Adapts to American Standard, Morse Taper, and jaw chuck mountings. Ability to handle greater side loads during hobbing or grinding applications.

### ■ 3 sizes to handle a range of part diameters from 1.000" to 6.000" diameter.

- HD 62 from 1.000" to 3.600" Diameter
- HD 63 from 1.400" to 4.800" Diameter
- HD 64 from 1.900" to 6.000" Diameter

### ■ All Drivers use standard quick change drive pins