



STANDARD EXTERNAL COLLET CHUCK

The most versatile chuck on the market.



Standard interchangeable collets can be changed in **One Minute.**



With interchangeable collets, workstops, adapters and drawbar / tube connectors, the **Speedgrip Standard External collet chuck** is the most versatile chuck on the market.

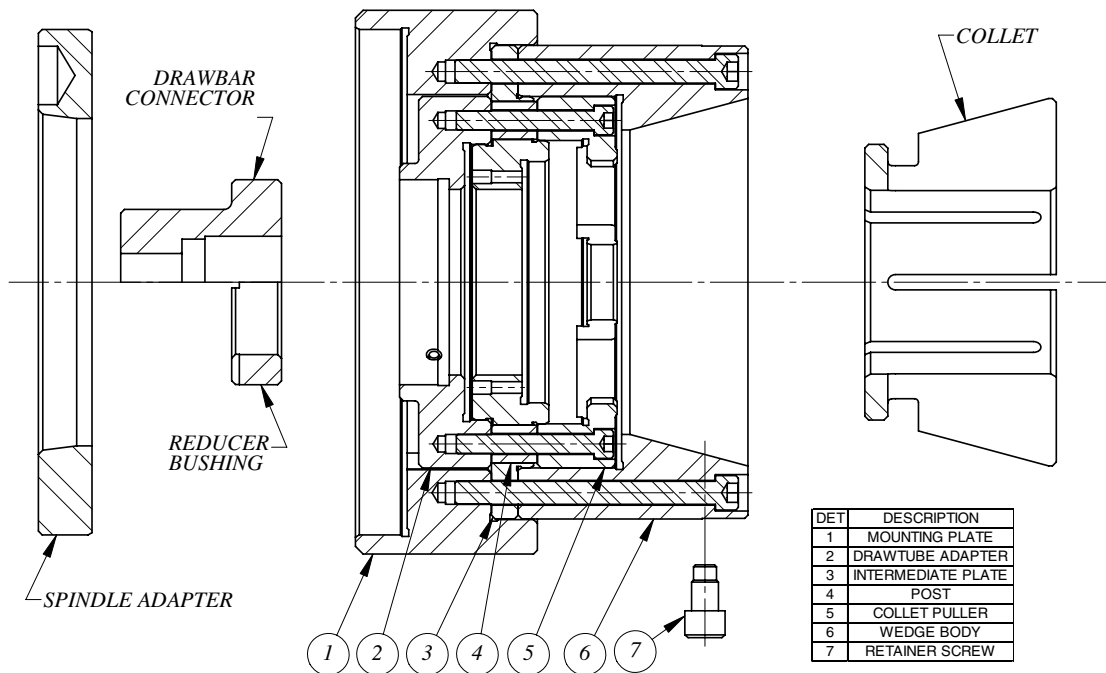


Designed with pull-back action, 360 degree grip, stir-in capability and safety stop, the **Speedgrip Standard External collet chuck** far exceeds the abilities of a conventional 3-jaw chuck.



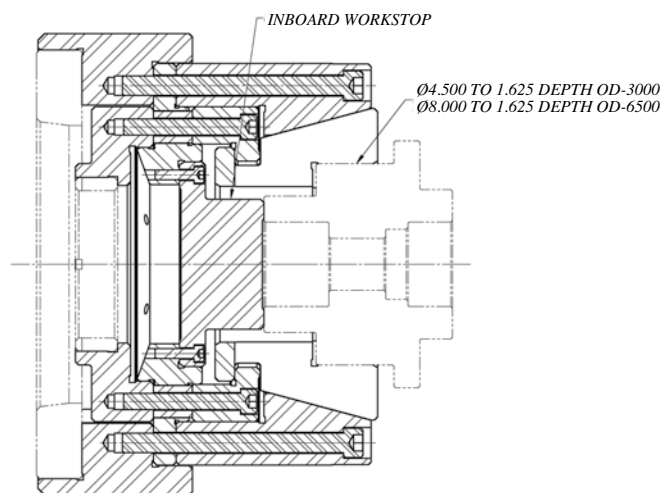
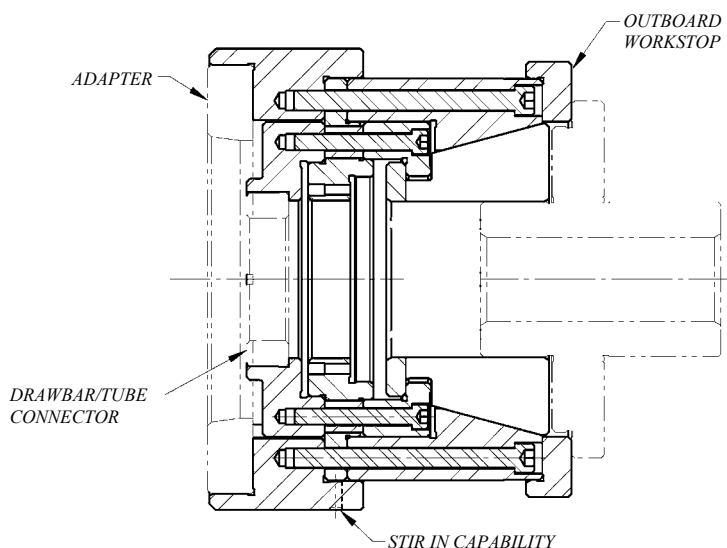
The Speedgrip **Standard External** collet chuck has been designed to offer a vast range of options.

EXTERNAL COLLET CHUCK



Interchangeable stocked adapters accommodating American Standard spindle A-5", A-6", & A-8" on model OD-3000 and A-8" & A-11" on model OD-6500.

Straight pilot and various mounting adapters supplied per application.

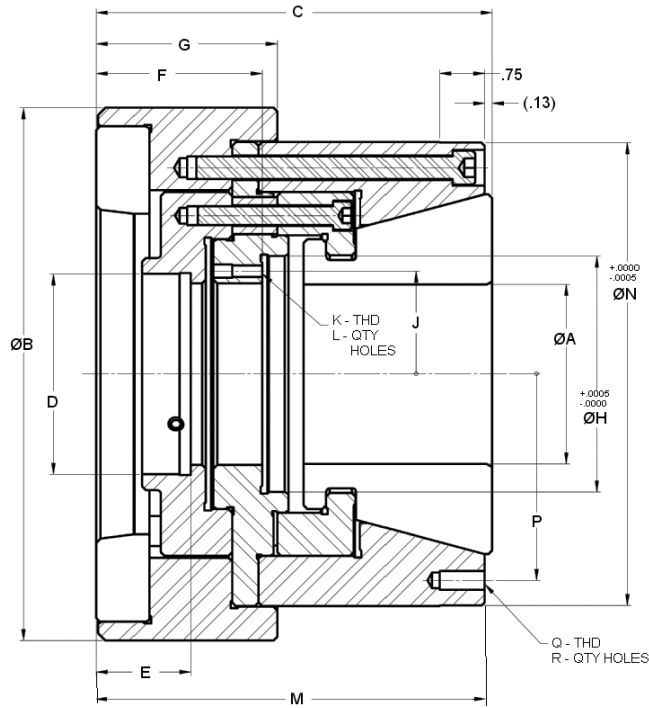


The drawbar/tube connector is interchangeable and can accommodate a wide variety of drawtube and drawbar thread sizes.

Chuck is designed with interchangeable workstops to allow the part to be located on an inboard datum or outboard datum surface.

OD-3000 CHUCK GRIP RANGE

3/4" to 3" diameter thru and up to 4 1/2" diameter to 1 5/8" depth



OD-6500 CHUCK GRIP RANGE

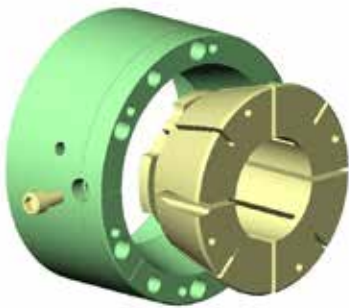
1 3/4" to 6 1/2" diameter thru and up to 8" diameter to 1 5/8" depth

CHUCK NO.	ØA (PART RANGE)		B	C	D	E		F	G
	MIN	MAX				MIN	MAX		
OD-3000	.750	3.000	8.875	6.563	M85-2.0	1.500	1.563	2.750	3.000
OD-6500	1.500	6.500	12.375	8.625	M175-3.0	2.788	2.875	4.813	5.063

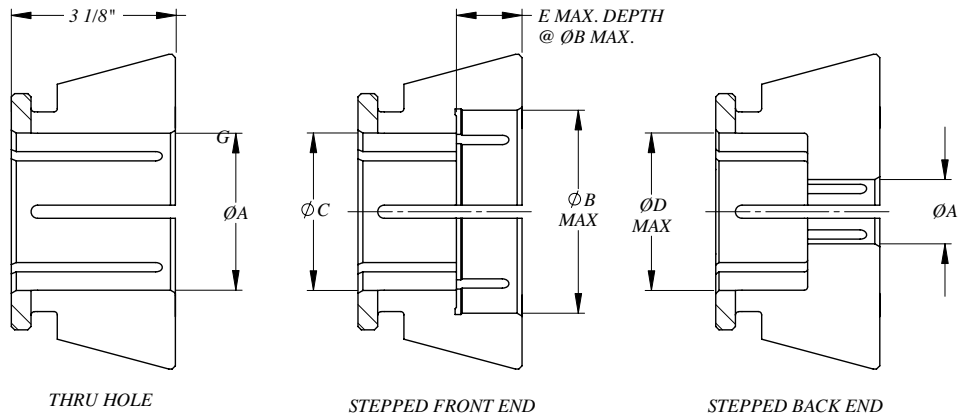
CHUCK NO.	H	J	K	L	M	N	P	Q	R
OD-3000	3.9375	1.719	#10-24	6	6.438	7.7100	3.438	.313-18	6
OD-6500	7.4375	3.469	#10-24	8	8.500	11.2100	5.188	.313-18	6

Collets are sized from stocked standard blanks to accommodate a wide range of diameters

STANDARD EXTERNAL COLLET OPTIONS



Collets are designed with a "quick change" mounting and can be changed in one minute.



COLLET	A		B	C		D	E
	MIN	MAX		MIN	MAX		
ODC-3000	.750	3.000	4.500	.750	3.000	3.00	1.625
ODC-6500	1.500	6.500	8.000	1.500	6.500	6.50	1.625



**Cameron Sabertooth
& Hydraulic Arbors**

**Madison Face Driver
www.speedgrip.com**

Standard External Collet Chuck

The chuck is mounted to the spindle using one of the interchangeable adapters for any American standard A-5, A-6, A-8, and A-11 spindle. Adapters to accommodate other spindles and machine centers are available and will be quoted upon application.

The chuck has a stir in feature and will repeat within .0005 T.I.R. in most applications.

The chuck connects directly to the machines drawtube/drawbar using the drawtube adapter. A reducer ring is available and included when necessary for alternate thread sizes.

The collet is installed simply by placing it into the chuck, rotating it a few degrees and tightening the anti-rotation screw. Collet blanks are stocked in various increments and sized at no additional cost.

The workstop is bolted to the inside (inboard) base or the outside flange (outboard) depending on the application and can be interchanged quickly or removed for thru-hole applications. The height and diameter of workstops will be determined upon review of part information.

The chuck can be used in many first operations and will prove to be ideal for second and subsequent operations significantly out-performing conventional jaw chucks.

This is a highly accurate and readily available chuck that can quickly tool up an existing machine or an in-stock imported machine by simply selecting the appropriate components and sizing them to accommodate the customer's part.

